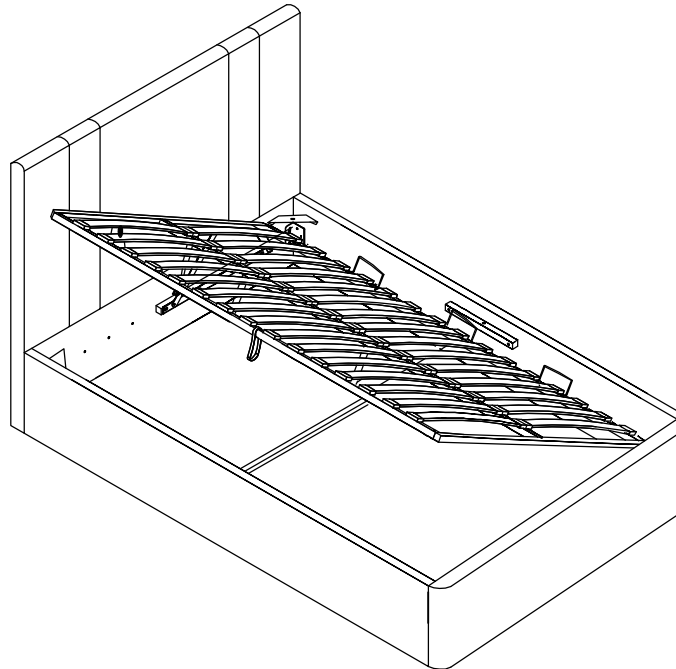


REVEAL QUEEN BED

Simple Assembly Instruction - Please keep for future reference

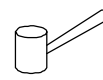


IMPORTANT

- 1) Read these instruction carefully and familiarise yourself with the procedure before assembling the unit.
- 2) Check that you have all the component parts following the list on the back cover and familiarise yourself with each part before proceeding.
- 3) Take all the fitting out of the plastic bag and separate them into their groups.
- 4) Ensure you have enough space to layout all the parts before assembly.
- 5) To avoid scratching it is recommended that you assemble the unit on a soft level surface.



30 - 45 MIN



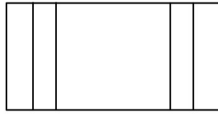
NOT SUPPLIED

TWO PEOPLE ARE NEEDED TO ASSEMBLY THIS BED.

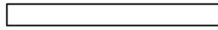
WE STRONGLY RECOMMEND THAT YOU DO NOT USE POWER TOOLS DURING ASSEMBLY. POWER TOOLS CAN OVERTIGHTEN AND DAMAGE COMPONENTS OR MAKE THE PRODUCT UNSAFE . AND DAMAGE DUE TO THE USE OF POWER TOOLS ARE AT THE CUSTOMERS OWN RISK AND WILL NOT BE ACCEPTED BACK BY THE SUPPLIER. WE RECOMMEND YOU USE THE TOOLS PROVIDED IN YOUR ASSEMBLY KIT.

COMPONENTS

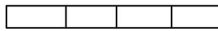
01 1 X HEADBOARD-UPPER



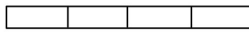
02 1 X HEADBOARD-LOWER



03 1 X FOOTBOARD



04 2 X SIDE RAILS



05 1 X BLACK WOVEN FABRIC



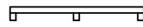
06 1 X LONG METAL FRAME - A



07 1 X LONG METAL FRAME - B
(STRAP PRE-FIX)



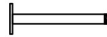
08 2 X SHORT METAL FRAME



09 1 X CENTER RAIL



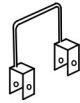
10 2 X SUPPORT LEG



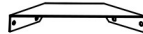
11 1 X SUPPORT RAIL



12 3 X MATTRESS BLOCKER



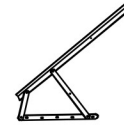
13 4 X CORNER PLATE



14 2 X GAS PUMP



15 2 X MECHANISM



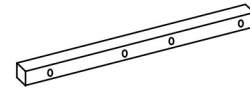
16 30 X SPRING SLAT



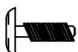








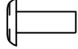
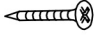






17 4 X LEG



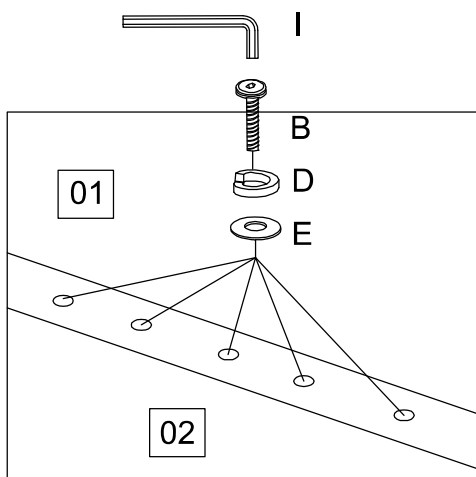
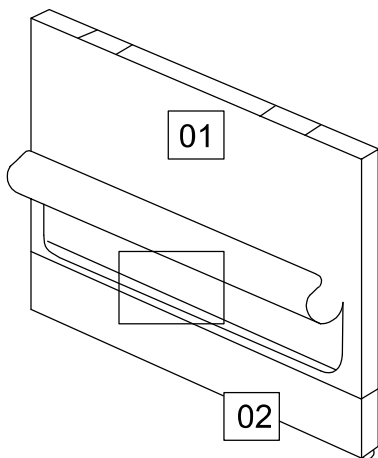
18 2 X SUPPORT BAR



FITTINGS

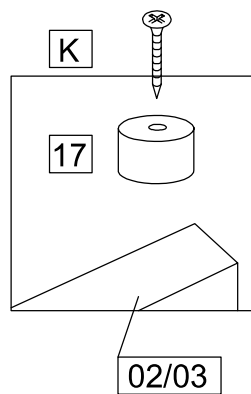
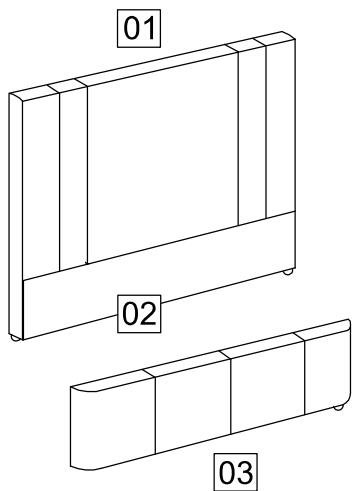
<p>A</p>  <p>SCREW M8 X 25MM</p> <p>24PCS</p>	<p>B</p>  <p>SCREW M8 X 65MM</p> <p>5PCS</p>	<p>C</p>  <p>SCREW M6 X 57MM</p> <p>8PCS</p>	<p>D</p>  <p>Spring Washer M8</p> <p>31PCS</p>	<p>E</p>  <p>Washer M8</p> <p>31PCS</p>
<p>F</p>  <p>13MM SPANNER</p> <p>1PCS</p>	<p>G</p>  <p>SCREW M6 X 25MM</p> <p>20PCS</p>	<p>H</p>  <p>SIDE SLAT STOPPER</p> <p>30PCS</p>	<p>I</p>  <p>ALLEN KEY M5</p> <p>1PC</p>	<p>J</p>  <p>JCN NUT M8 X 19MM</p> <p>6PCS</p>
<p>K</p>  <p>WOOD SCREW 1-1/4</p> <p>4PCS</p>	<p>L</p>  <p>SCREW M6 X 20MM</p> <p>4PCS</p>	<p>M</p>  <p>CENTER SLAT STOPPER</p> <p>15PCS</p>	<p>N</p>  <p>Spring Washer M6</p> <p>32PCS</p>	<p>O</p>  <p>Washer M6</p> <p>32PCS</p>
<p>P</p>  <p>ALLEN KEY M4</p> <p>1PC</p>	<p>Q</p>  <p>SCREW M8 X 40MM</p> <p>8PCS</p>			

STEP 1



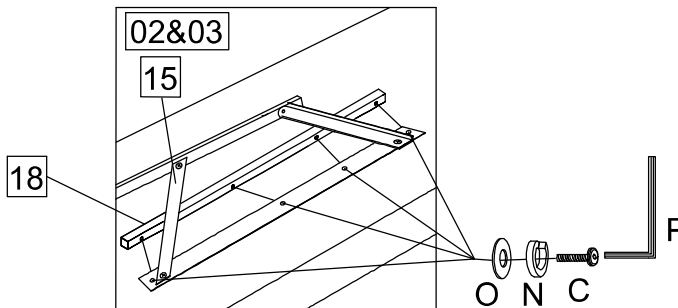
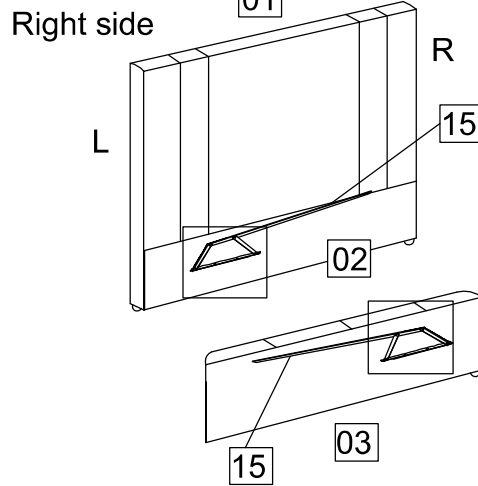
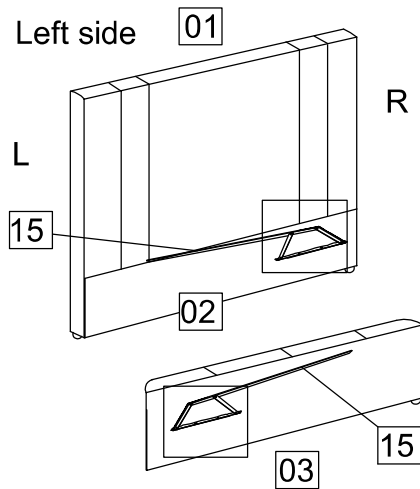
B		SCREW M8 X 65MM	5PCS
D		Spring Washer M8	5PCS
E		Washer M8	5PCS
I		ALLEN KEY M5	1PC

STEP 2



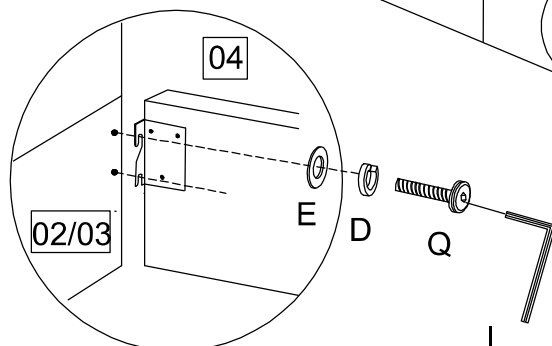
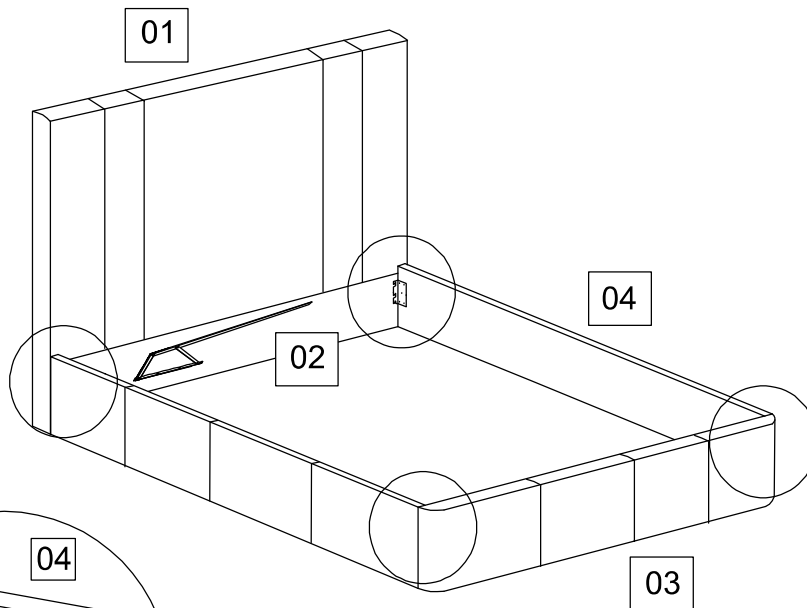
K		WOOD SCREW 1.1/4	4PCS
---	--	------------------	------

STEP 3 If you want to lift the base from



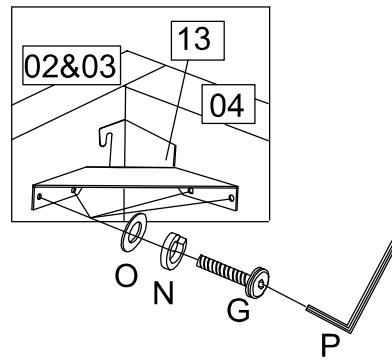
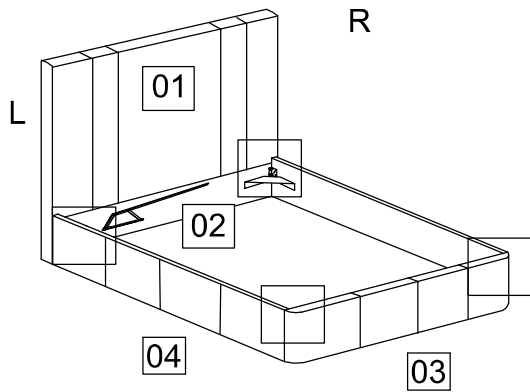
C		8PCS
N		8PCS
O		8PCS
P		1PC

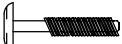



STEP 4



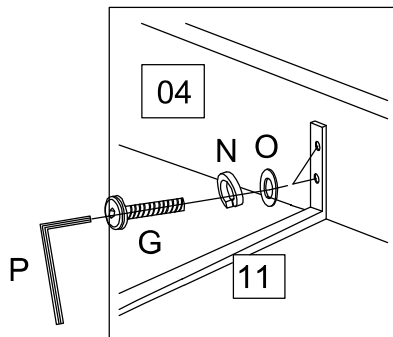
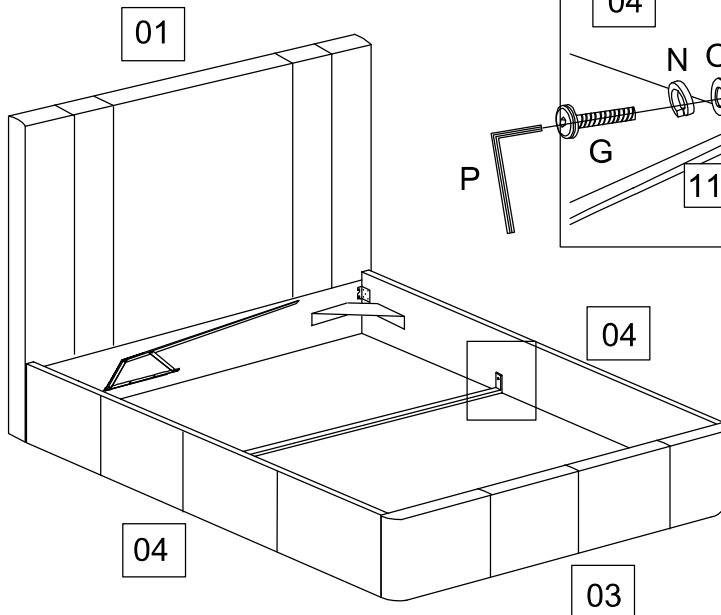
Q		8PCS
D		8PCS
E		8PCS
I		1PC

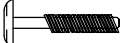



STEP 5



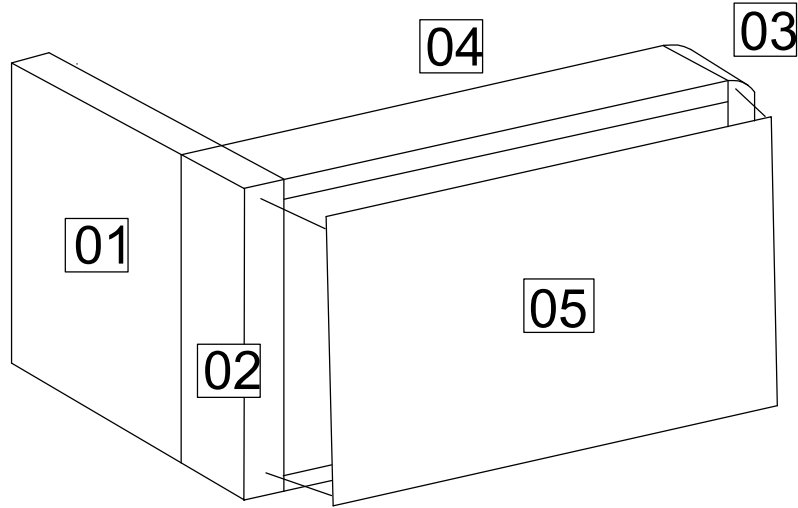
G		SCREW M6 X 25MM	16PCS
N		Spring Washer M6	16PCS
O		Washer M6	16PCS
P		ALLEN KEY M4	1PC

STEP 6

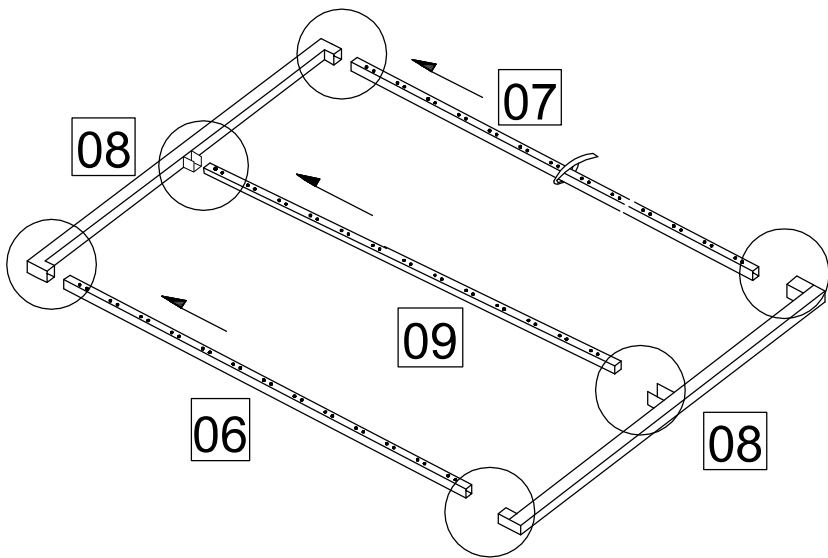


G		SCREW M6 X 25MM	4PCS
N		Spring Washer M6	4PCS
O		Washer M6	4PCS
P		ALLEN KEY M4	1PC

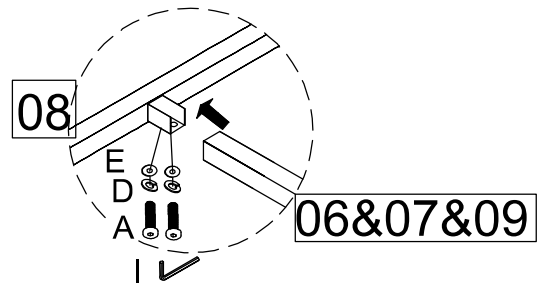
STEP 7



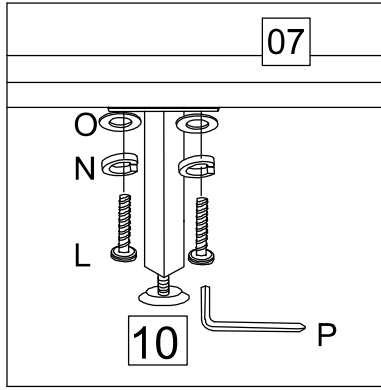
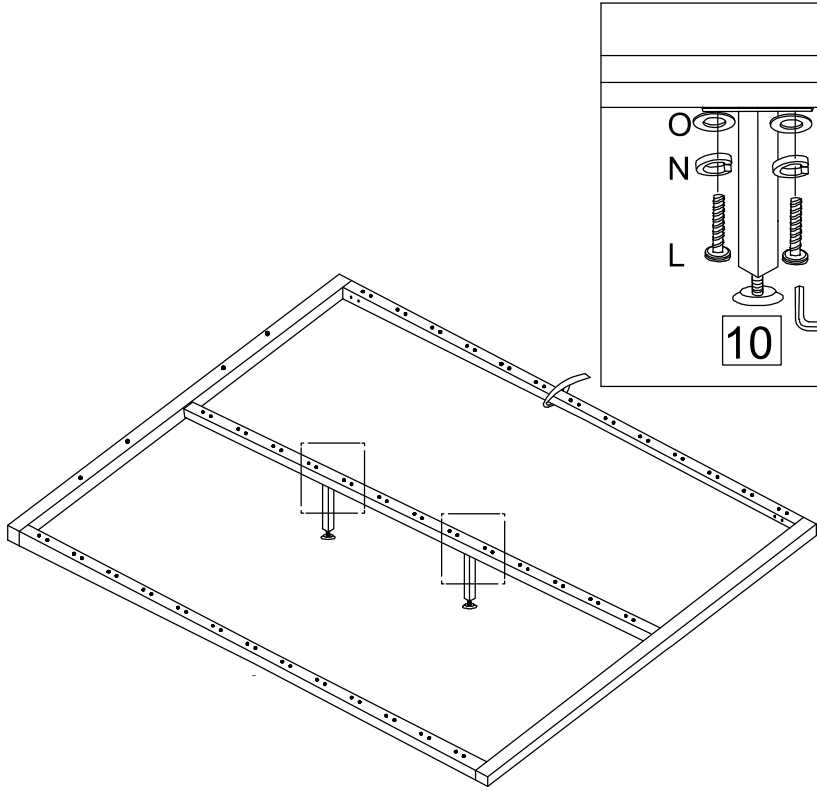
STEP 8



A		12PCS
D		12PCS
E		12PCS
I		1PC

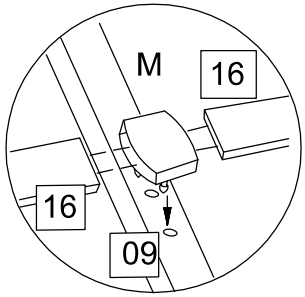
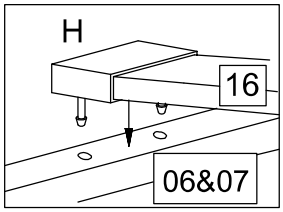
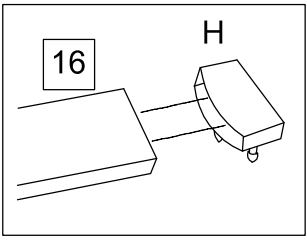
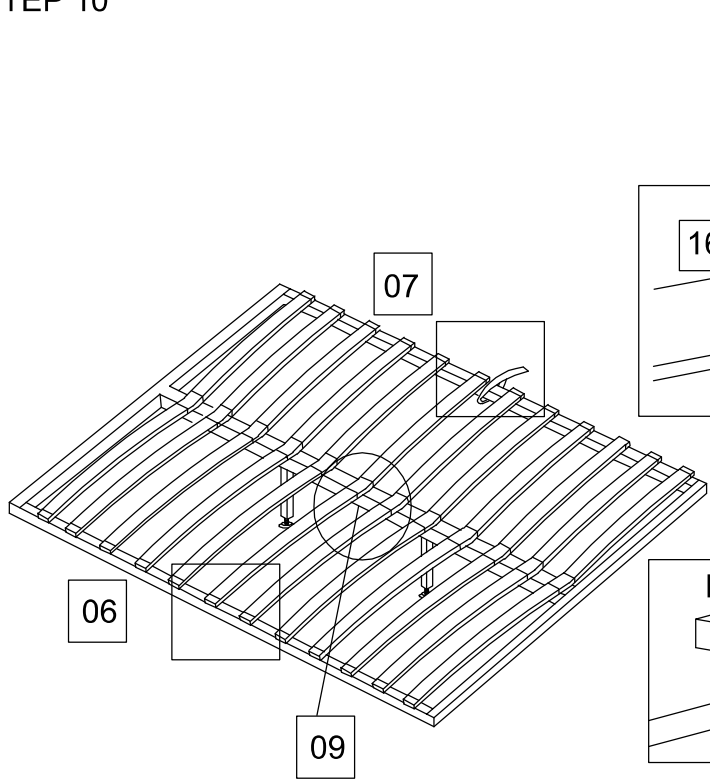


STEP 9



L		SCREW M6 X 20MM	4PCS
N		Spring Washer M6	4PCS
O		Washer M6	4PCS
P		ALLEN KEY M4	1PC

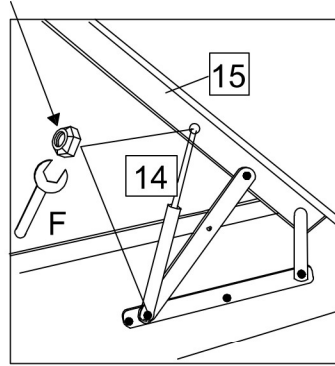
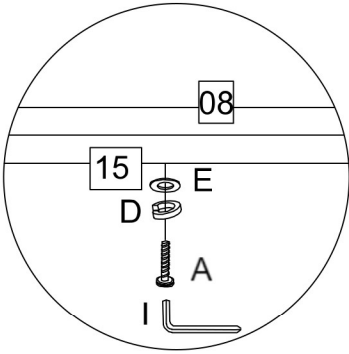
STEP 10








H		SIDE SLAT STOPPER	30PCS
M		CENTER SLAT STOPPER	15PCS

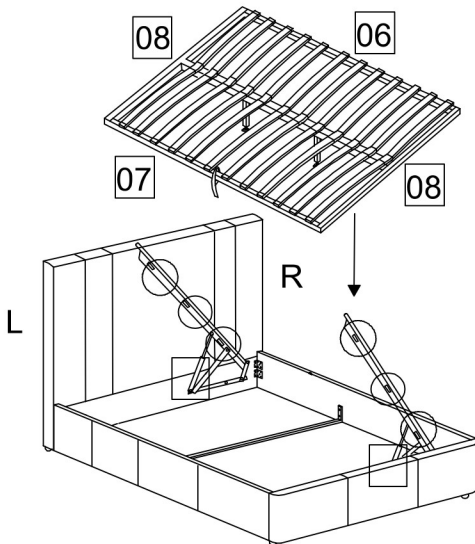
STEP 11

This nut is pre-fix on part 15.
Remove it from Part 15, to
assembly as per below

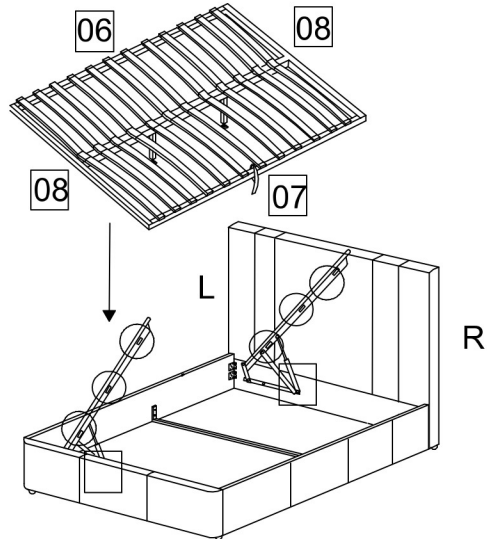


A		SCREW M8 X 25MM	6PCS
D		Spring Washer M8	6PCS
E		Washer M8	6PCS
I		ALLEN KEY M5	1PC
F		13MM SPANNER	1PCS

Left side lift up

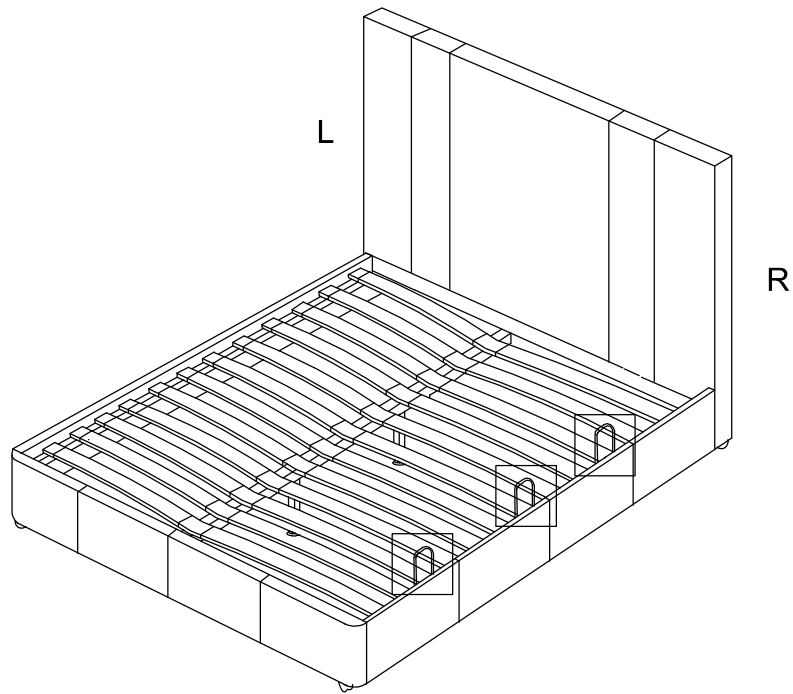


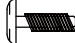
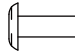
Right side lift up



STEP 12

Left side lift up



A		
SCREW M8 X 25MM		6PCS
J		
JCN NUT M8 X 19MM		6PCS

Right side lift up

