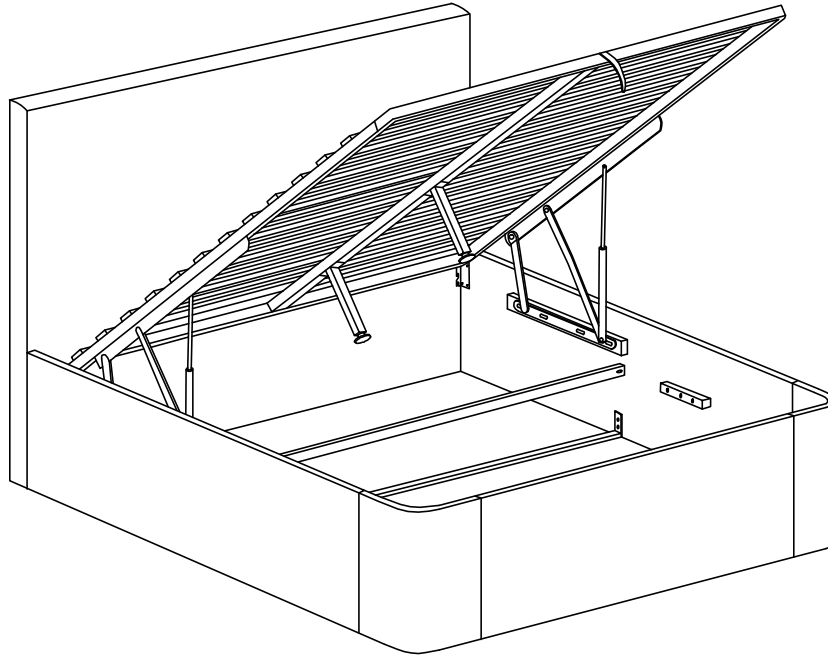




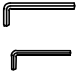
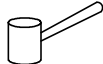
PRATICO END LIFT UP QUEEN BED

Simple Assembly Instruction - Please keep for future reference



IMPORTANT

- 1) Read these instruction carefully and familiarise yourself with the procedure before assembling the unit.
- 2) Check that you have all the component parts following the list on the back cover and familiarise yourself with each part before proceeding.
- 3) Take all the fitting out of the plastic bag and separate them into their groups.
- 4) Ensure you have enough space to layout all the parts before assembly.
- 5) To avoid scratching it is recommended that you assemble the unit on a soft level surface.

	 30 - 45 MIN		 NOT SUPPLIED
---	--	---	---

TWO PEOPLE ARE NEEDED TO ASSEMBLY THIS BED.

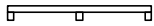
WE STRONGLY RECOMMEND THAT YOU **DO NOT** USE POWER TOOLS DURING ASSEMBLY. POWER TOOLS CAN OVERTIGHTEN AND **DAMAGE COMPONENTS** OR MAKE THE **PRODUCT UNSAFE**. AND DAMAGE DUE TO THE USE OF POWER TOOLS ARE AT THE CUSTOMERS OWN RISK AND WILL NOT BE ACCEPTED BACK BY THE SUPPLIER. WE RECOMMEND YOU USE THE TOOLS PROVIDED IN YOUR ASSEMBLY KIT.

COMPONENTS

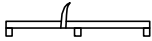
01 2 X LONG METAL FRAME



02 1 X SHORT METAL FRAME



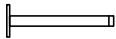
03 1 X SHORT METAL FRAME (WITH BELT)



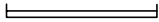
04 1 X CENTER RAIL



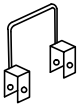
05 2 X SUPPORT LEG



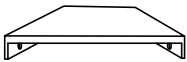
06 1 X SUPPORT RAIL



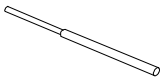
07 2 X MATTRESS BLOCKER



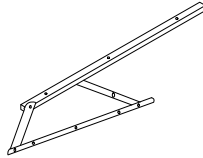
08 2 X CORNER PLATE



09 2 X GAS PUMP



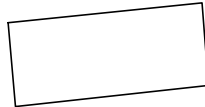
10 2 X MECHANISM



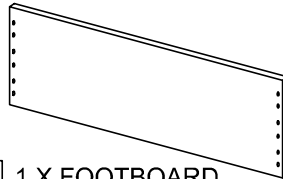
11 30 X SPRING SLAT



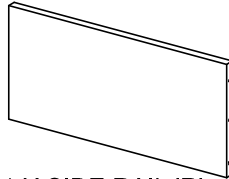
12 1 X BLACK WOVEN FABRIC



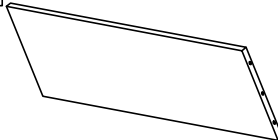
13 1 X HEADBOARD



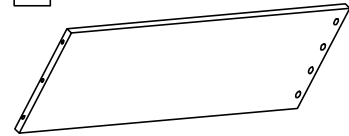
14 1 X FOOTBOARD



15 1 X SIDE RAIL 'R'



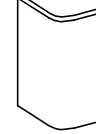
16 1 X SIDE RAIL 'L'



17 1 X CORNER 'R'



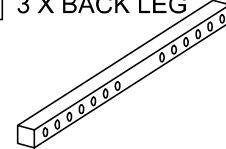
18 1 X CORNER 'L'



19 1 X CENTER WOOD



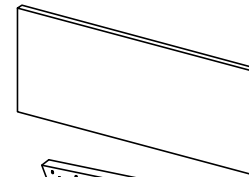
20 3 X BACK LEG



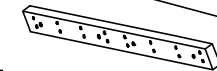
21 2 X SUPPORT WOOD



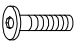


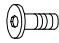


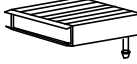



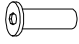
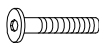
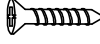

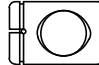

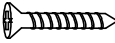
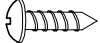
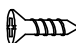

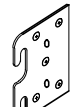
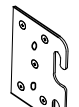
22 1 X HEAD PANEL



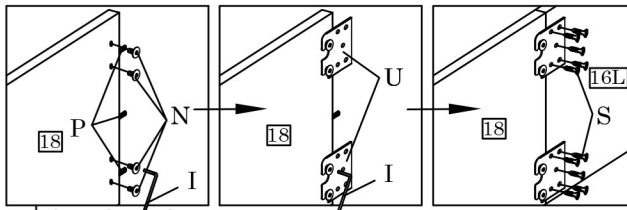
23 2 X SIDE RAIL SUPPORT



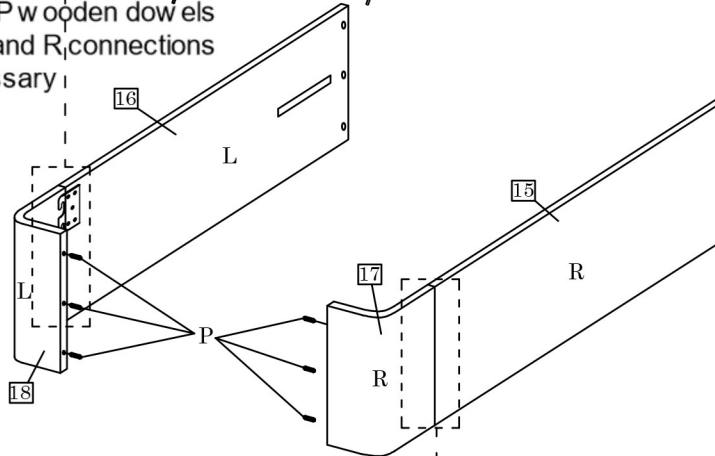
FITTINGS

<p>A</p>  <p>SCREW M8 x 25MM</p> <p>22 PCS</p>	<p>B</p>  <p>M8 SPRING WASHER</p> <p>18 PCS</p>	<p>C</p>  <p>WASHER 8 x 16MM</p> <p>18 PCS</p>	<p>D</p>  <p>SCREW M6 x 16MM</p> <p>16 PCS</p>	<p>E</p>  <p>M6 SPRING WASHER</p> <p>16 PCS</p>
<p>F</p>  <p>WASHER 6 x 13MM</p> <p>40 PCS</p>	<p>G</p>  <p>SIDE SLAT STOPPER</p> <p>30 PCS</p>	<p>H</p>  <p>CENTER SLAT STOPPER</p> <p>15 PCS</p>	<p>I</p>  <p>ALLEN KEY M5</p> <p>1 PCS</p>	<p>J</p>  <p>SPANNER 13MM</p> <p>1 PCS</p>
<p>K</p>  <p>JCN NUT M8 x 19MM</p> <p>4 PCS</p>	<p>L</p>  <p>SCREW M6 x 60MM</p> <p>32 PCS</p>	<p>M</p>  <p>SCREW M4 x 28MM</p> <p>32 PCS</p>	<p>N</p>  <p>SCREW M8 x 16MM</p> <p>24 PCS</p>	<p>O</p>  <p>BARREL NUT</p> <p>8 PCS</p>
<p>P</p>  <p>M10 x 30MM</p> <p>40 PCS</p>	<p>Q</p>  <p>SCREW M4 x 30MM</p> <p>8 PCS</p>	<p>R</p>  <p>PAN SCREW M4 x 20MM</p> <p>4 PCS</p>	<p>S</p>  <p>SCREW M4 x 16MM</p> <p>40 PCS</p>	<p>T</p>  <p>ALLEN KEY M4</p> <p>1 PCS</p>
<p>U</p>  <p>BRACKET 'L'</p> <p>4 PCS</p>	<p>V</p>  <p>BRACKET 'R'</p> <p>4 PCS</p>			

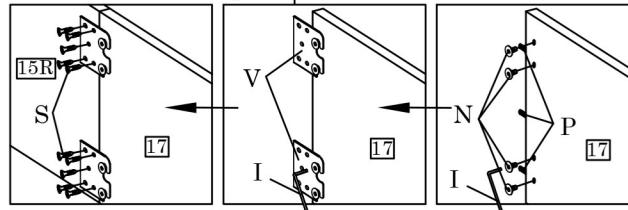
STEP 1



Do not use the top P wooden dowels on the corner to L and R connections as this is not necessary and is a higher pressure point.

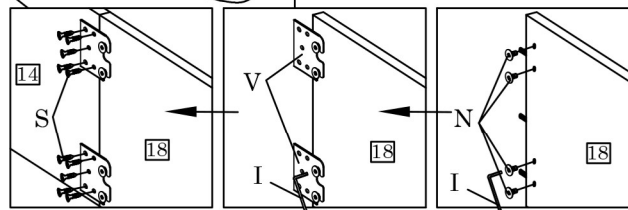
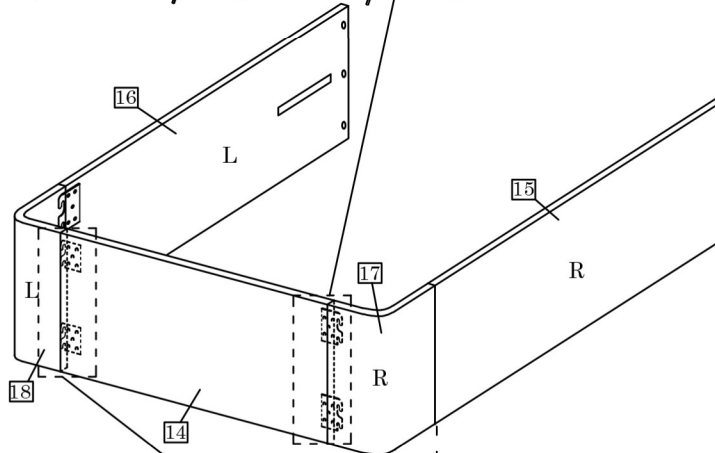
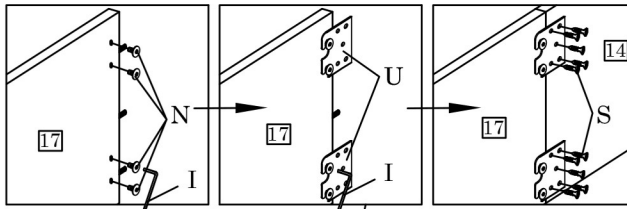


Please be careful when screwing in the brackets as over tightening can crack the panels



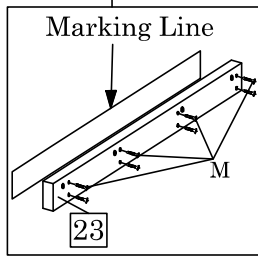
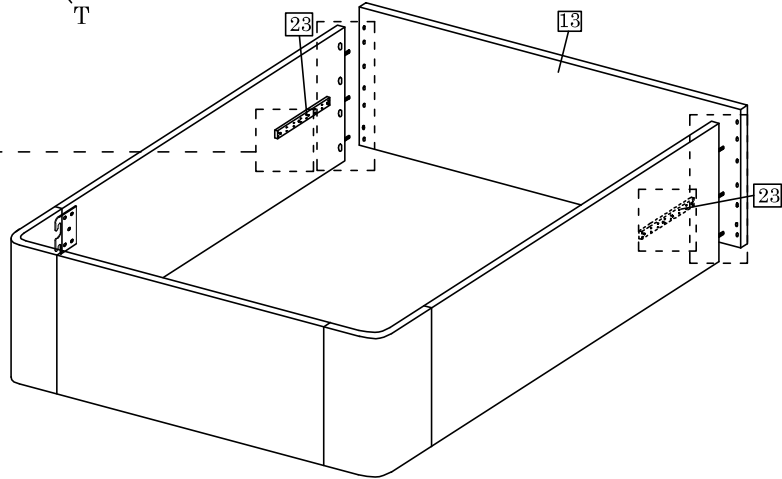
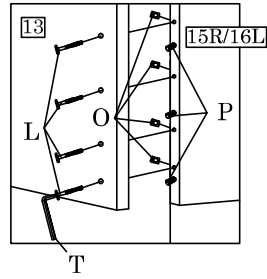
I		1 PCS
N		8 PCS
P		12 PCS 8 of 12 to be used
S		20 PCS
U		2 PCS
V		2 PCS

STEP 2



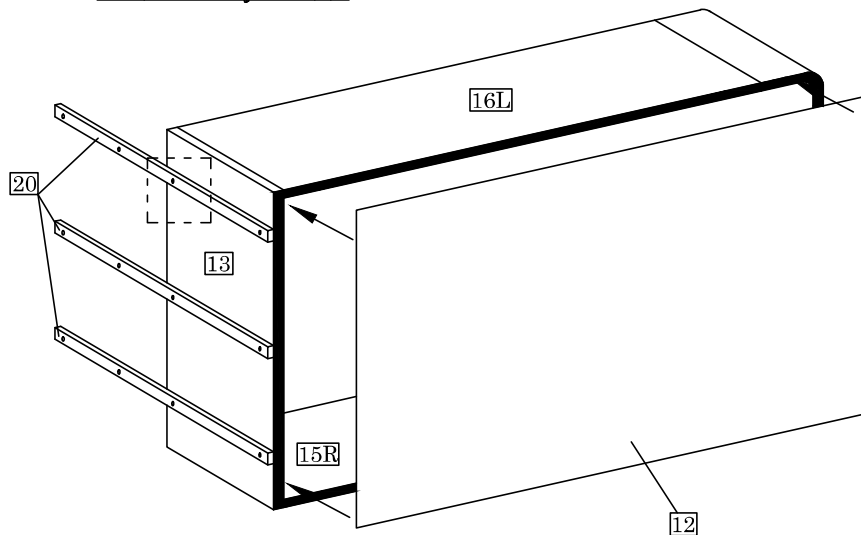
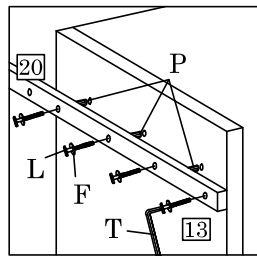
I		1 PCS
N		8 PCS
S		20 PCS
U		2 PCS
V		2 PCS

STEP 3



L		M6 x 60mm	8 PCS
O		Barret Nut	8 PCS
P		M10 x 30mm	6 PCS
T		M4 Allen Key	1 PCS
M		M4 x 28mm	32 PCS

STEP 4

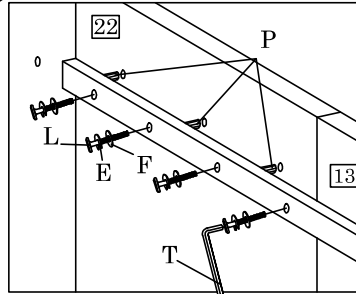
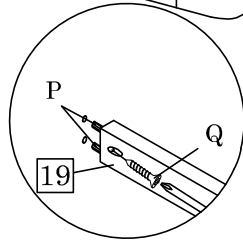
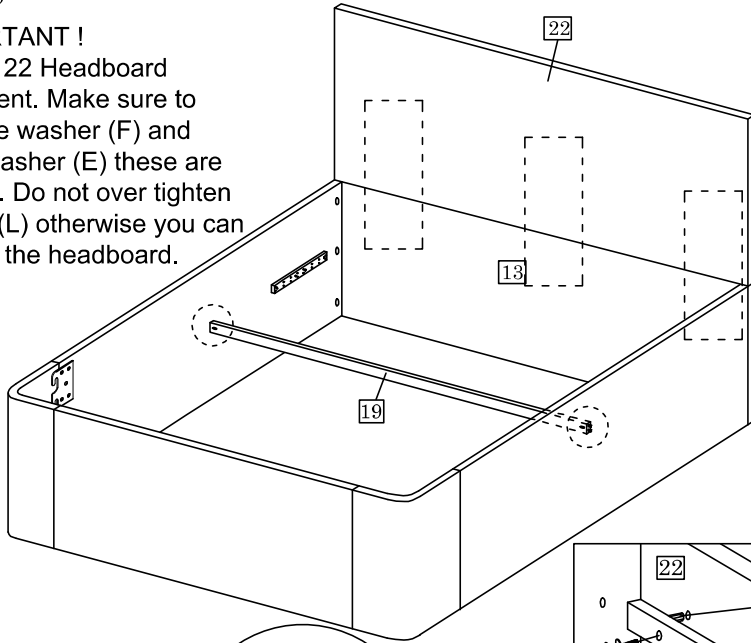


F		Washer 6 x 13mm	12 PCS
L		M6 x 60mm	12 PCS
P		M10 x 30mm	9 PCS
T		M4 Allen Key	1 PCS

STEP 5

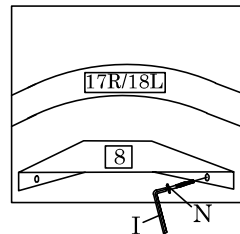
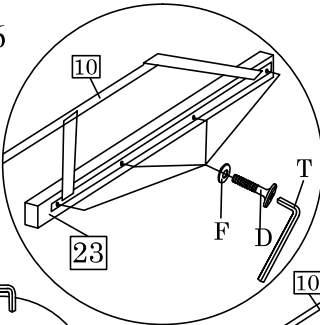
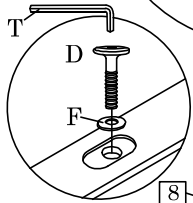
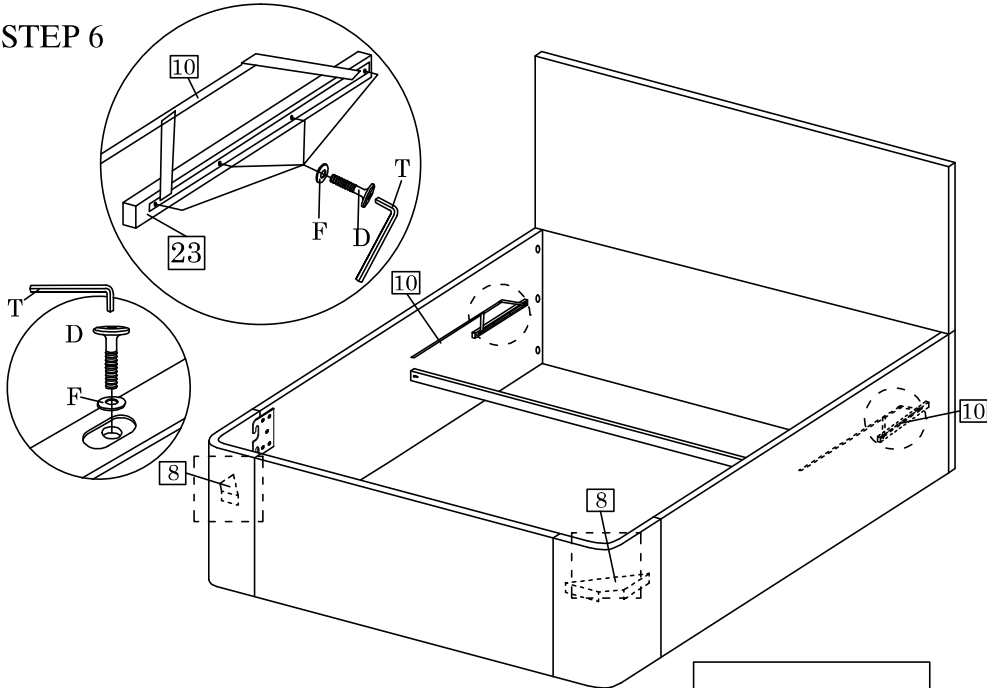
! IMPORTANT !

For Part 22 Headboard attachment. Make sure to insert the washer (F) and spring washer (E) these are required. Do not over tighten the bolt (L) otherwise you can damage the headboard.



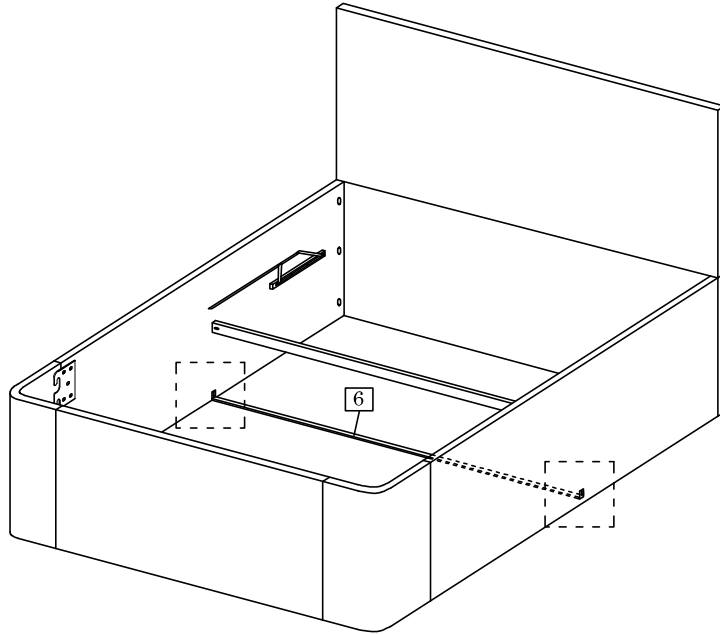
E		M6 Spring Washer	12 PCS
F		Washer 6 x 13mm	12 PCS
L		M6 x 60mm	12 PCS
P		M10 x 30mm	13 PCS
Q		M4 x 30mm	2 PCS
T		M4 Allen Key	1 PCS

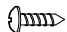
STEP 6

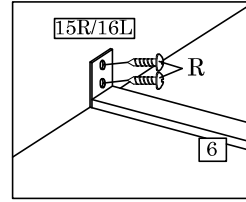


F		Washer 6 x 13mm	12 PCS
I		M5 Allen Key	1 PCS
D		M6 x 16mm	12 PCS
N		M8 x 16mm	8 PCS
T		M4 Allen Key	1 PCS

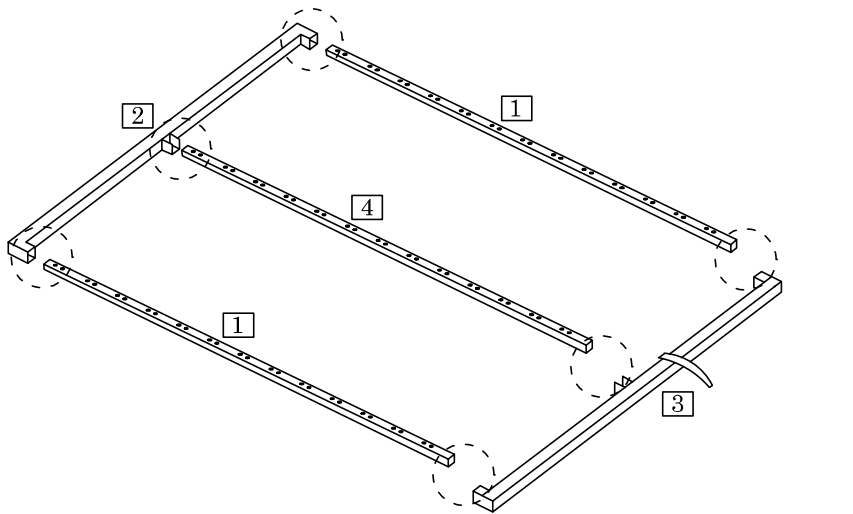
STEP 7







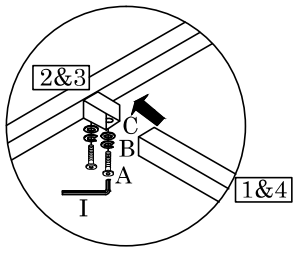
R	
Pan Screw M4 x 20mm	
	4 PCS



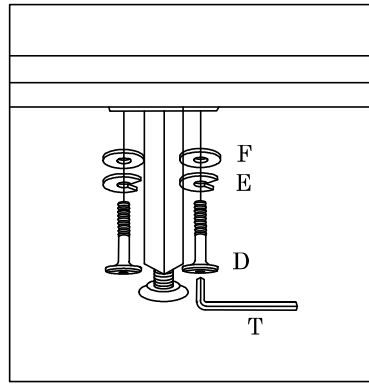
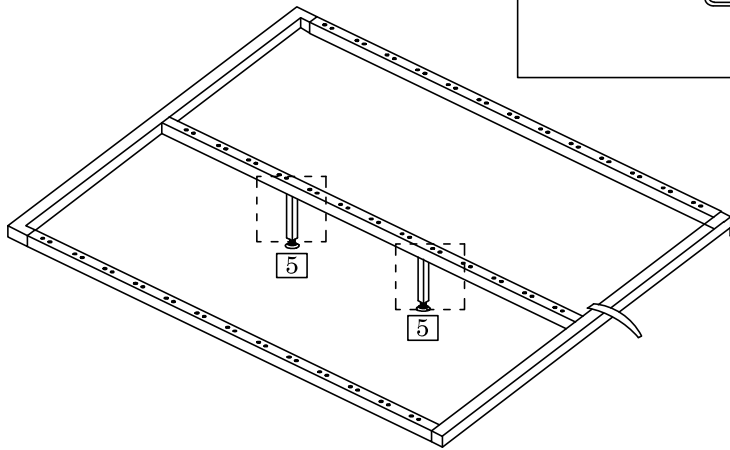
STEP 8







A	
M8 x 25mm	
	12 PCS
B	
SPRING WASHER M8	
	12 PCS
C	
WASHER M8 x 16MM	
	12 PCS
I	
M5 Allen Key	
	1 PC

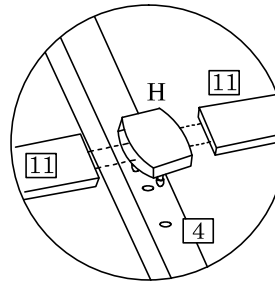
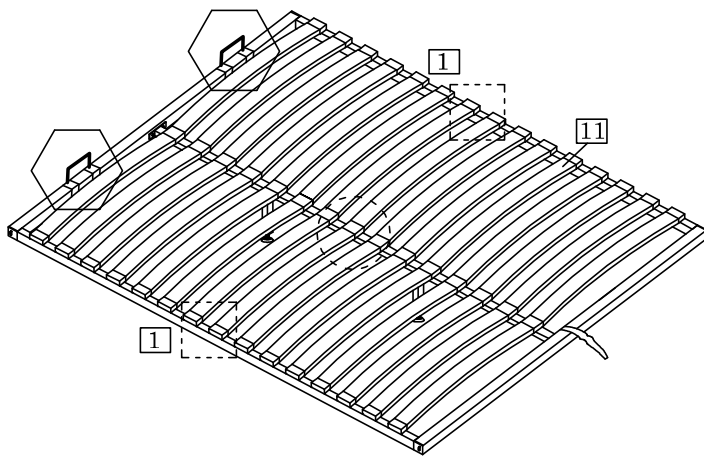
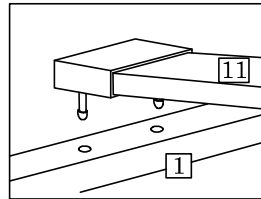
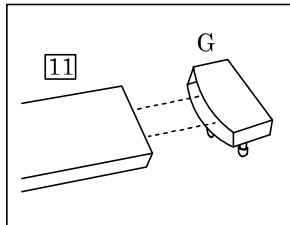


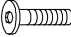
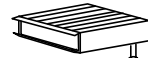

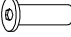
STEP 9

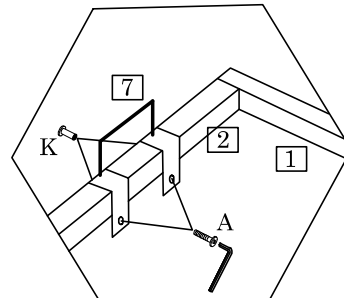


D		M6 x 16mm	4 PCS
E		SPRING WASHER M6	4 PCS
F		WASHER M6	4 PCS
T		M4 Allen Key	1 PC

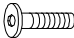




STEP 10

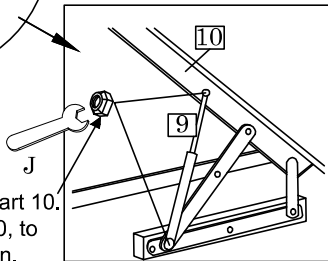
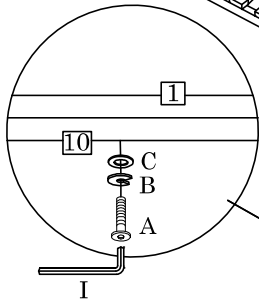
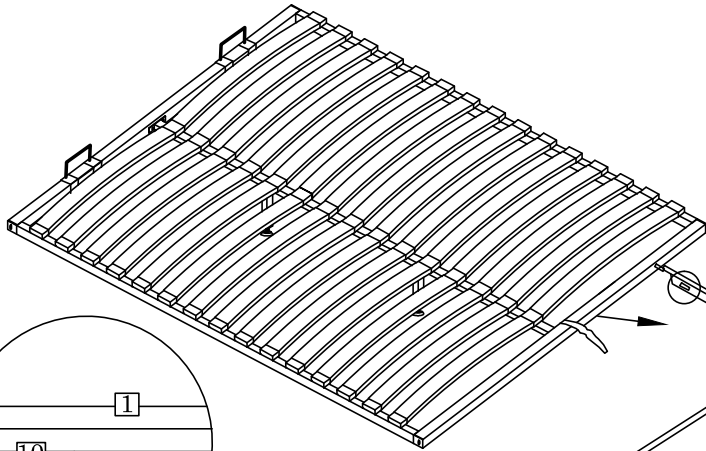


A		M8 x 25mm	4 PCS
G		SIDE SLAT STOPPER	30 PCS
H		CENTER SLAT STOPPER	15 PCS
K		M8 x 19mm	4 PCS

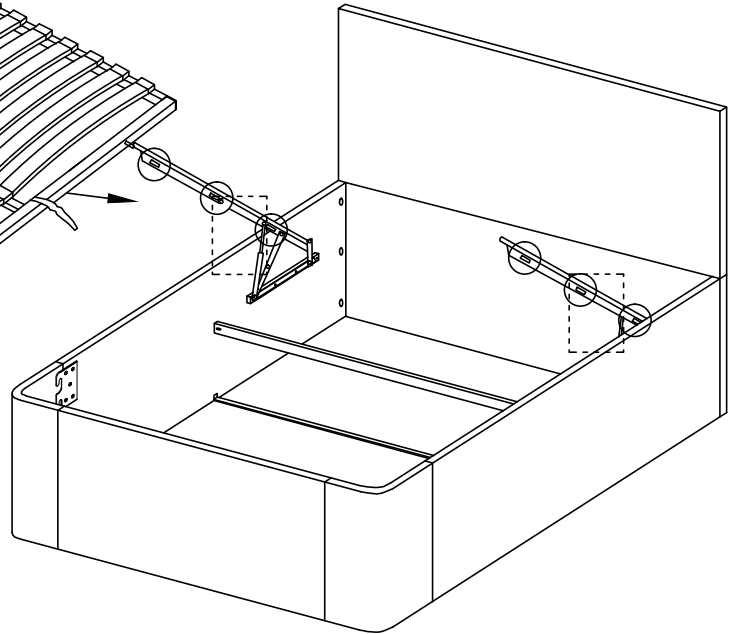


STEP 11

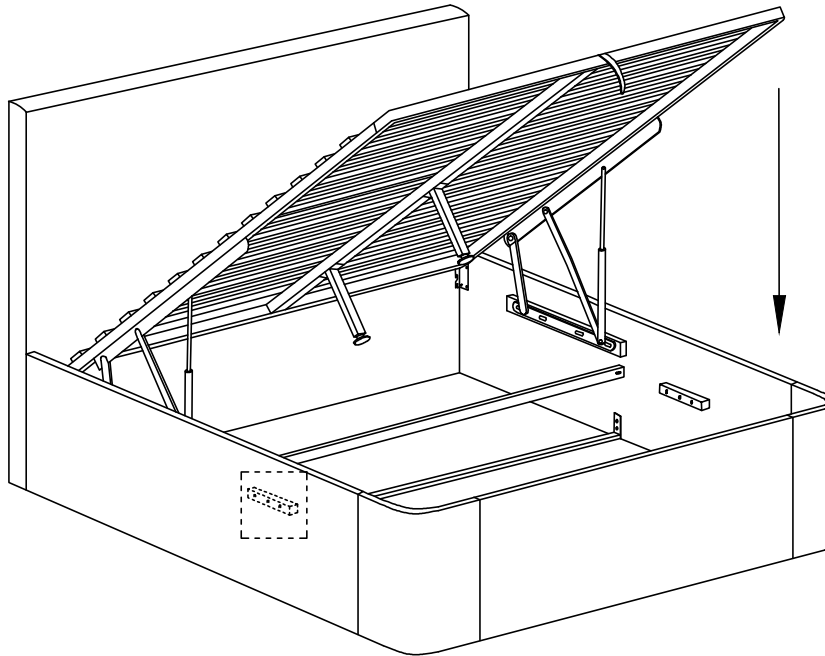
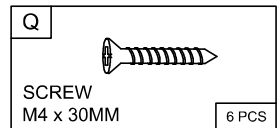
A  M8 x 25mm 6 PCS	B  SPRING WASHER M8 6 PCS	C  WASHER M8 x 16MM 6 PCS	J  SPANNER 1 PCS
			I  M5 Allen Key 1 PC



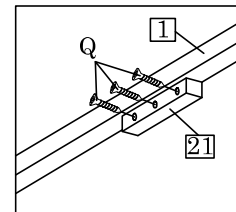
This nut is pre-fix on part 10.
Remove it from Part 10, to
assembly as per shown.



STEP 12



1. Lower down the base.
2. Mark the position of bottom of base.
3. Assemble the Support wood, make sure it is right under the base frame, for better support.



View our online guide with video:
<https://expandfurniture.com/pratico-guide/>

Other Notes. The Piston/Gas pump (item 9) cannot be compressed by hand. You install this with the bed frame raised. You then place your mattress on the raised frame to lower the system.

During Step 12 the frame can be adjusted a bit to move forward or backward. Adjust this appropriately so the bed frame does not touch the end board.

You have ~13.75 inches of clearance on the bed for storage and 1 area where you have 10 inches (under the brace bar). Do not exceed this height or you could damage your stored goods. There are also metal support bars which you should be aware of. We suggest marking the areas in the storage base so you don't put anything in the way.