









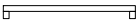



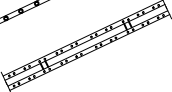

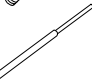



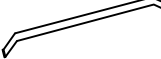





BO-9294

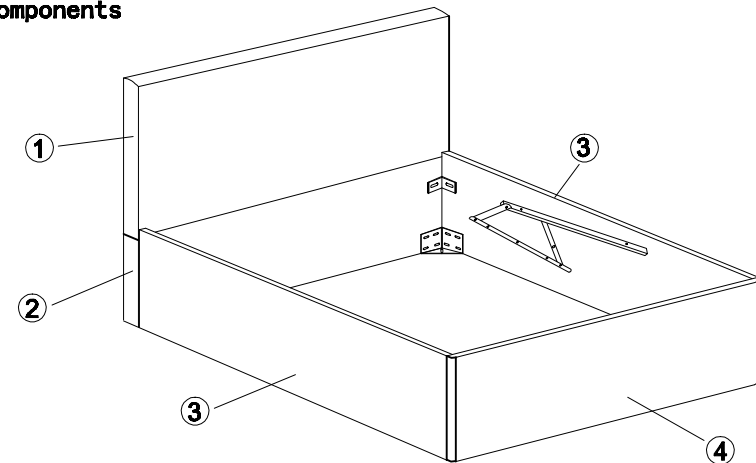
Assembly instruction

Hardware accessories

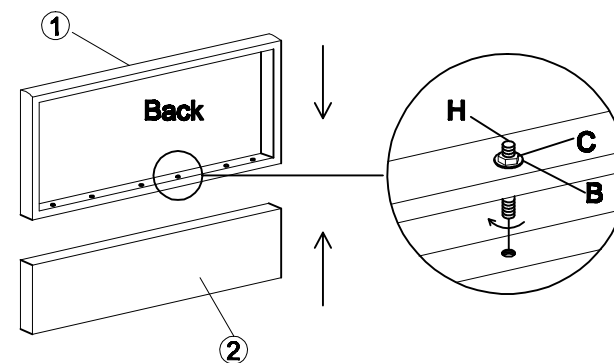
A x 48pcs		M8x25
B x 50pcs		M8x16
C x 28pcs		
D x 1pcs		
E x 2pcs		
F x 4pcs		
G x 2pcs		
H x 6pcs		M8x60
I x 1pcs		
J x 1pcs		
K x 2pcs		
L x 4pcs		
M x 24pcs		M4x16
N x 2pcs		
O x 1pcs		
P x 12pcs		M8x40
Q x 2pcs		
R x 6pcs		M8x50
S x 2pcs		M8x45
T x 2pcs		

U x 1pcs	
Y x 30pcs	
Z x 4pcs	
V x 68pcs	

Bed components



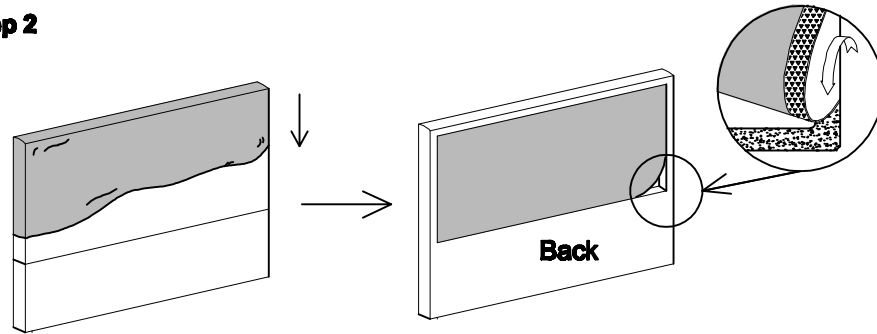
Step 1



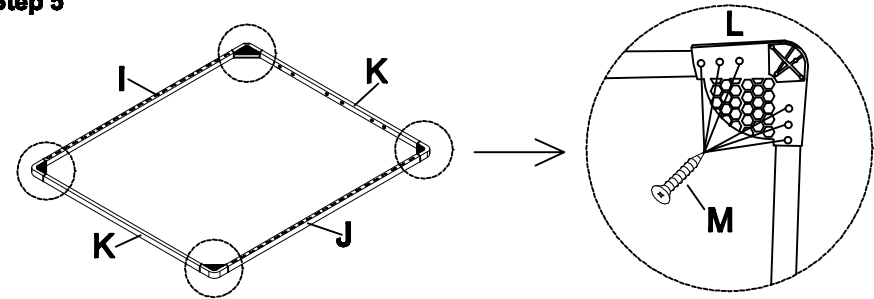
BO-9294

Assembly instruction

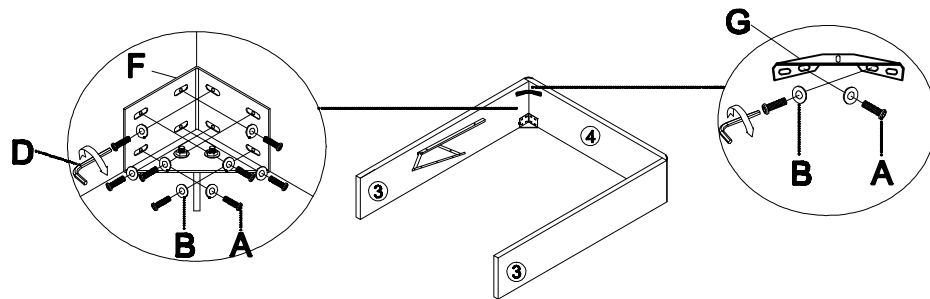
Step 2



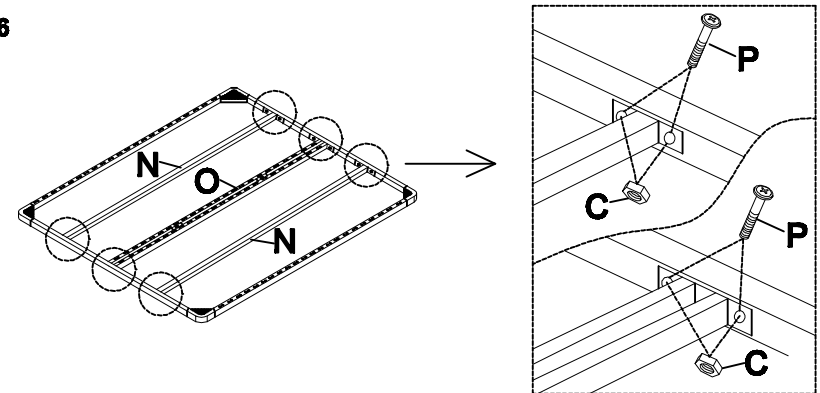
Step 5



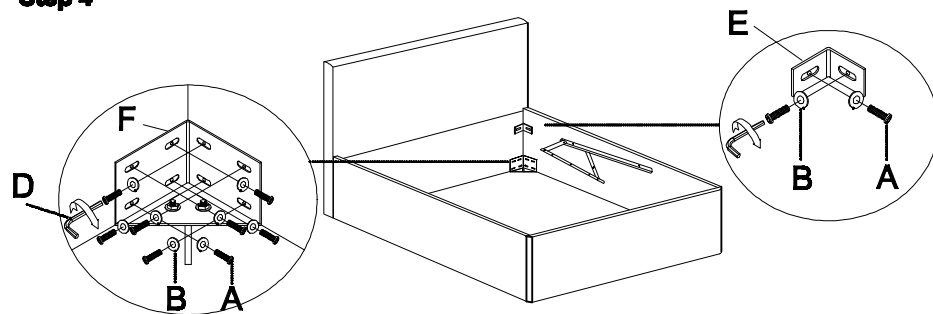
Step 3



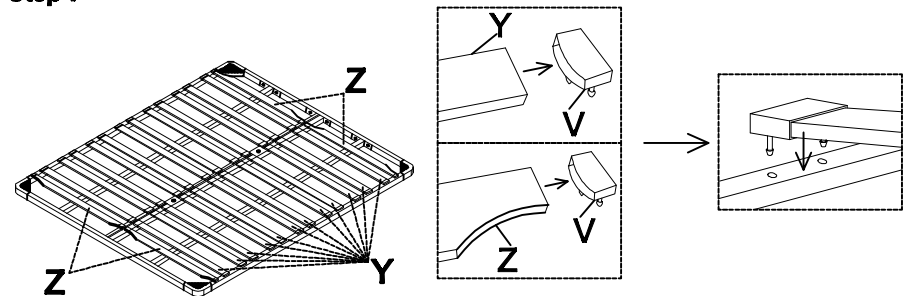
Step 6



Step 4



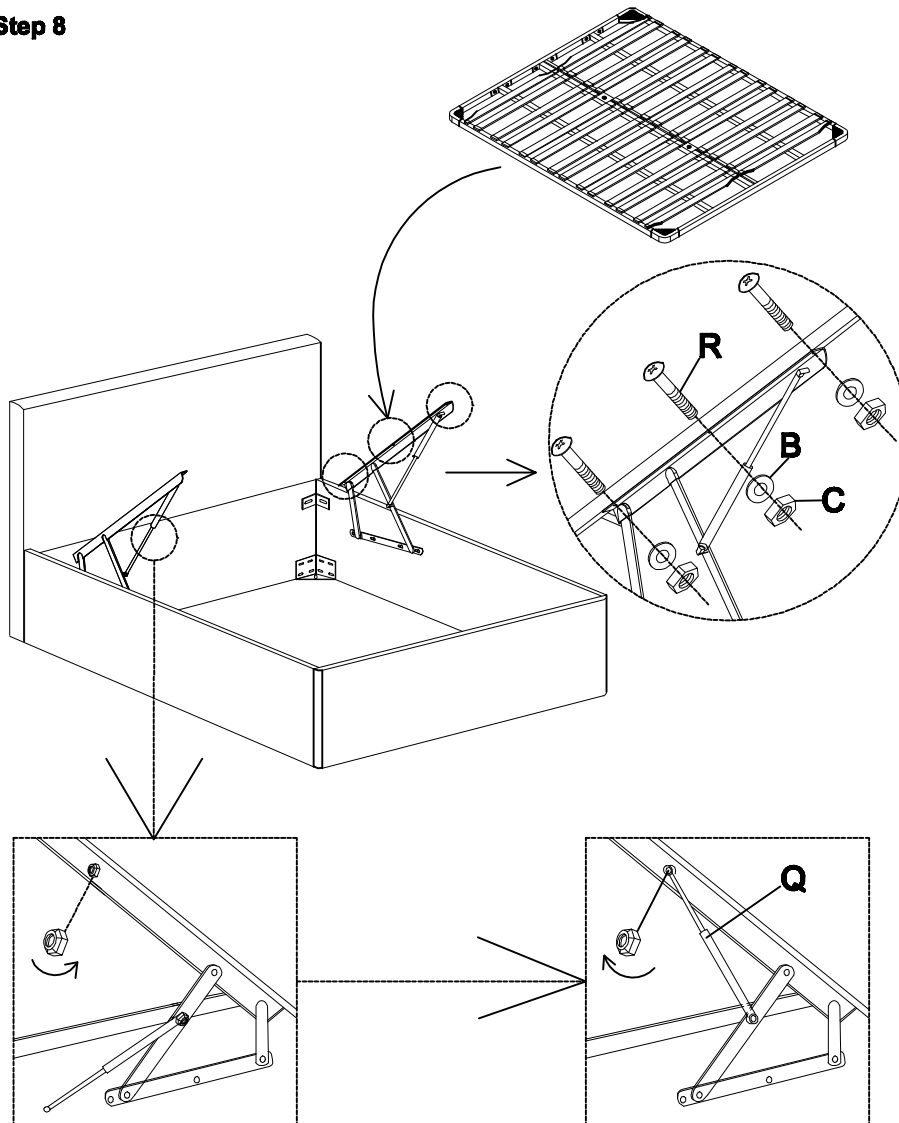
Step 7



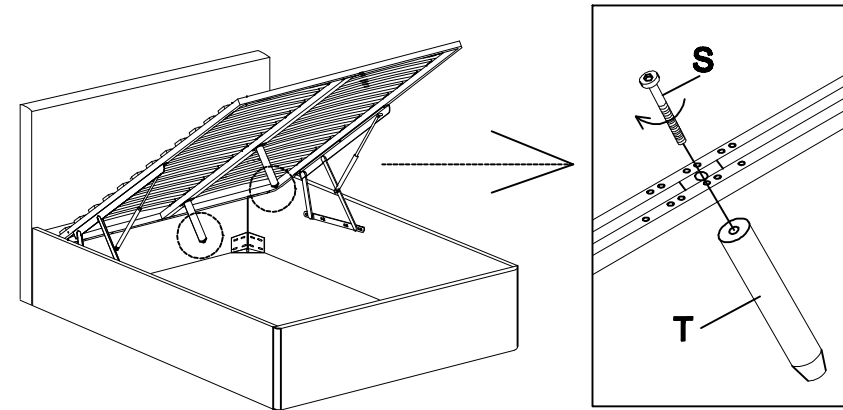
BO-9294

Assembly instruction

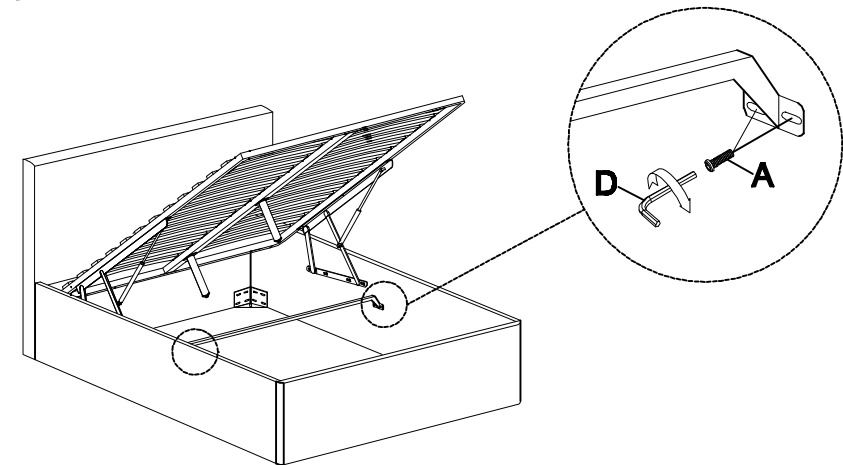
Step 8



Step 9



Step 10



After the pistons are inserted, do not lower the bed frame down without a mattress on top. This could damage the frame. The mattress distributes the weight more evenly.