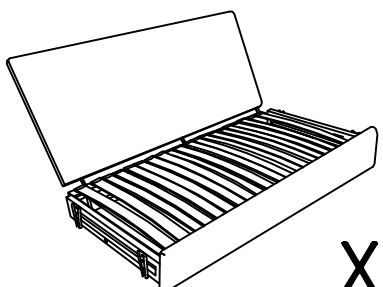
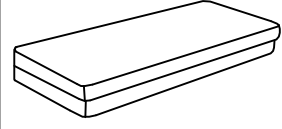
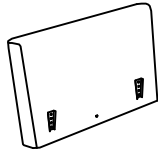
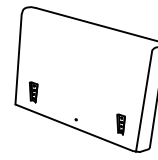
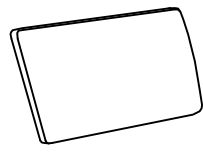
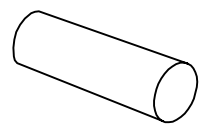
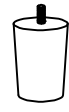




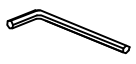
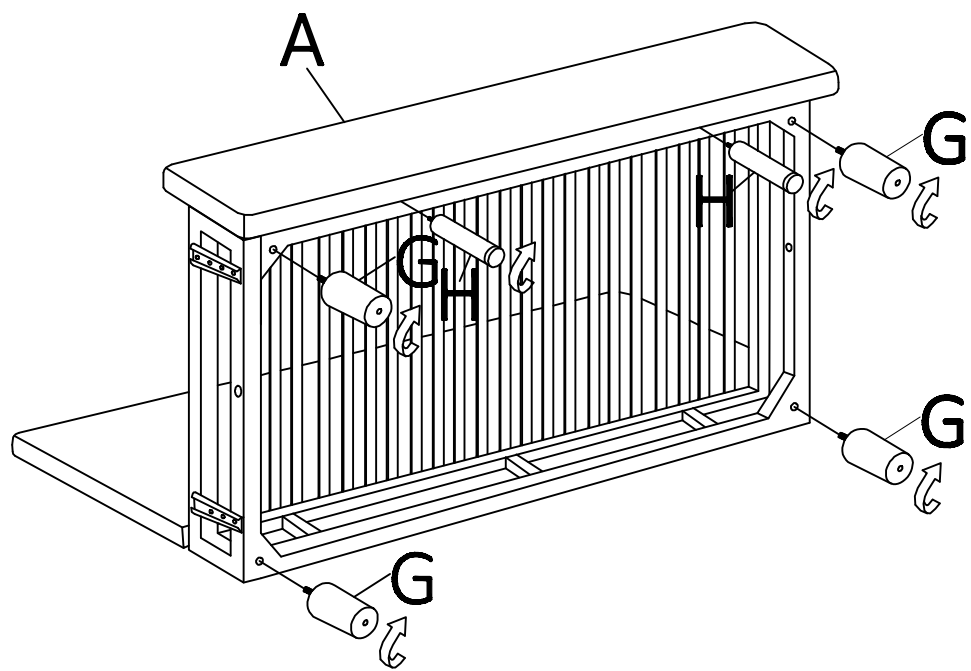


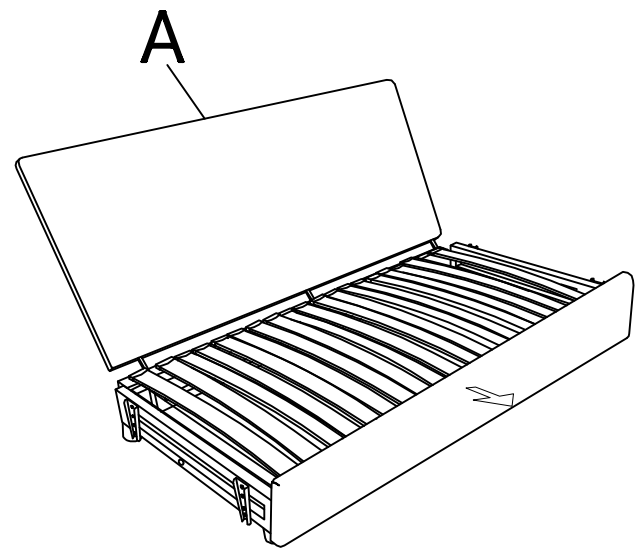
# ASSEMBLY INSTRUCTION

<b>A</b>  X1	<b>B</b>  X1	<b>C</b>  X1	<b>D</b>  X1	<b>E</b>  X2	<b>F</b>  X2
<b>G</b>  X4	<b>H</b>  X2	<b>I</b>  X2	<b>J</b>  X2	<b>K</b>  X2	<b>L</b>  X1

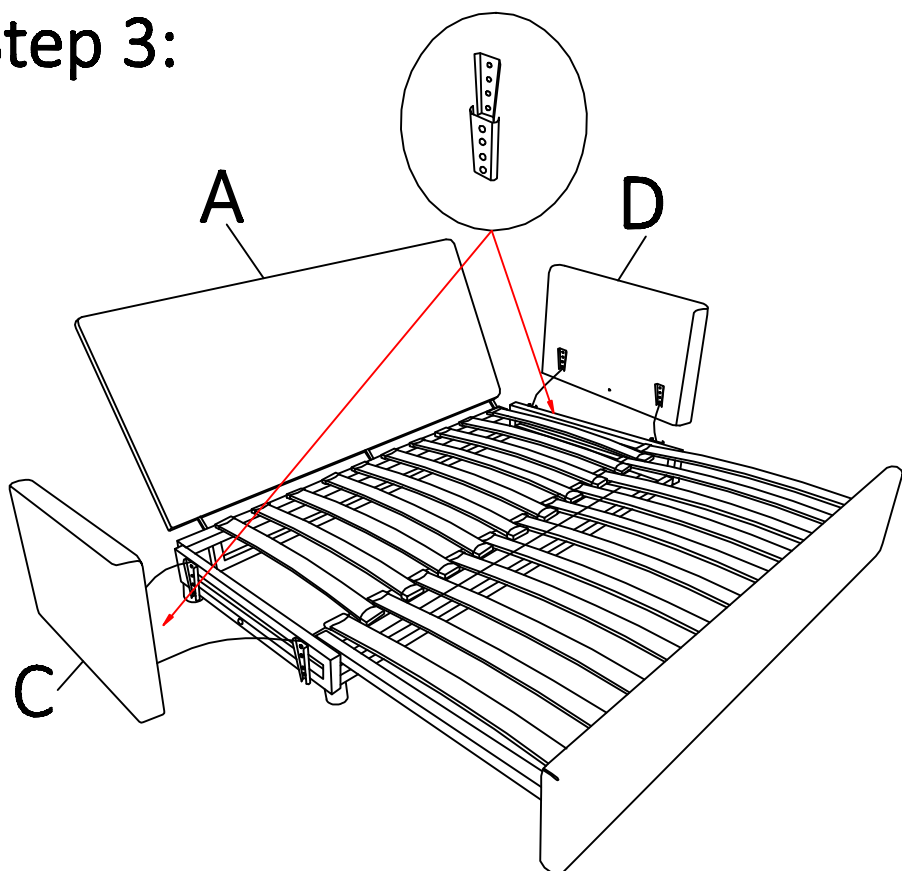
Step 1:



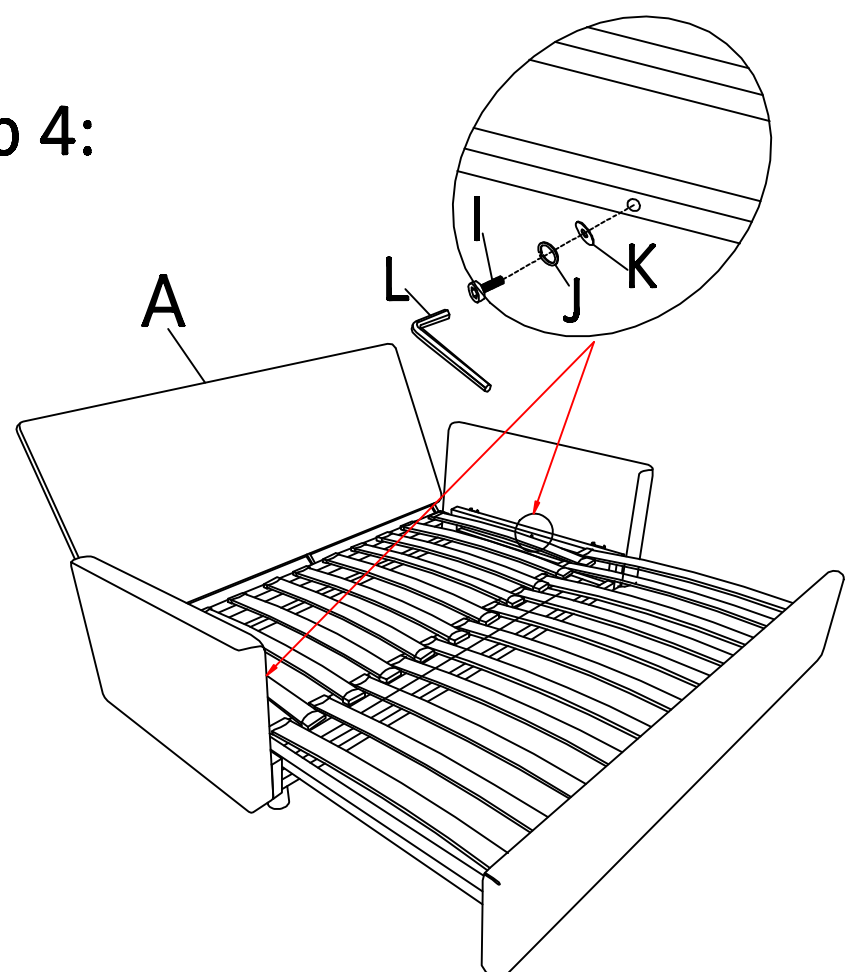
Step 2:



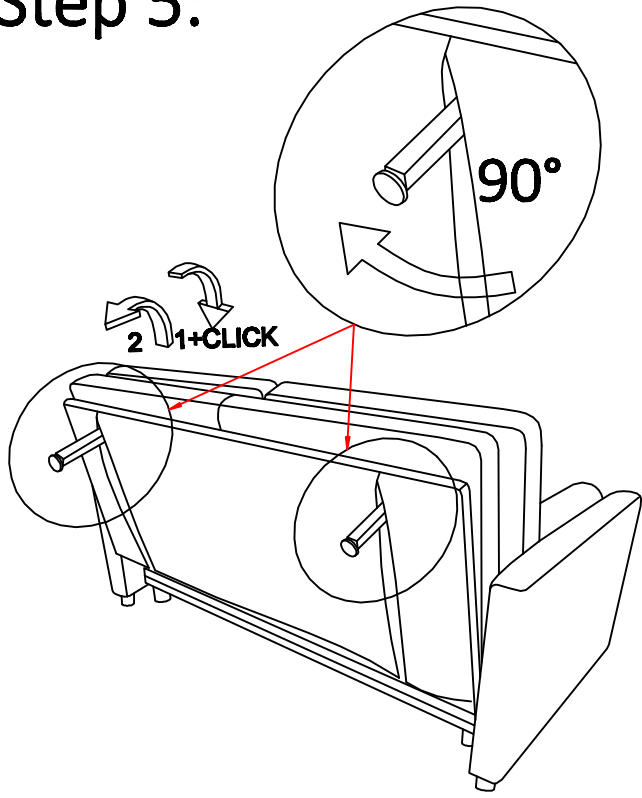
Step 3:



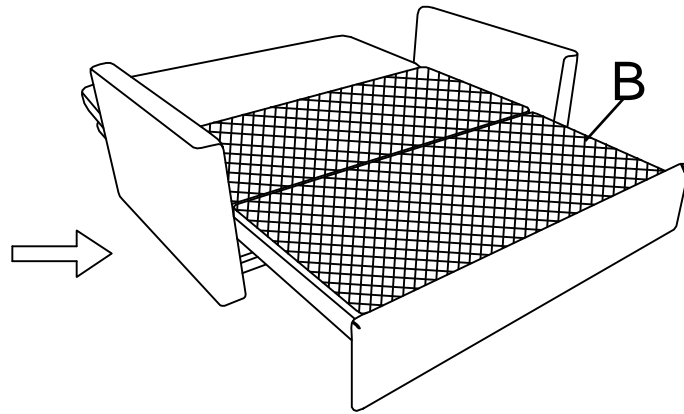
Step 4:



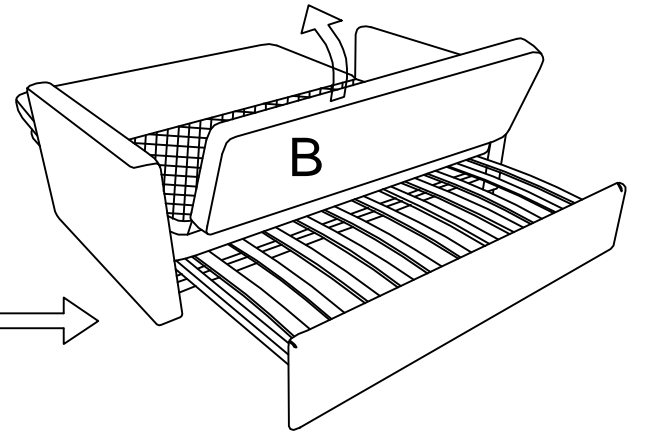
Step 5:



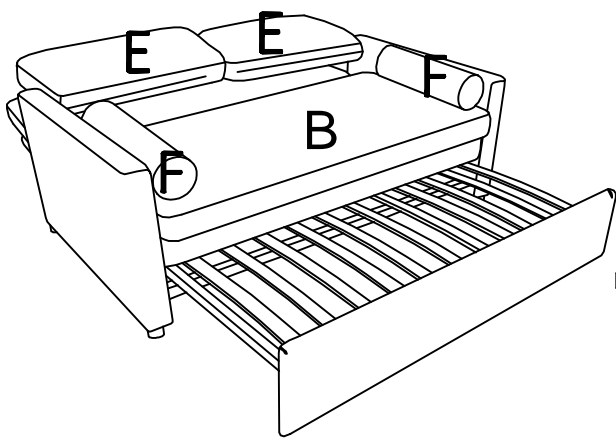
Step 6:



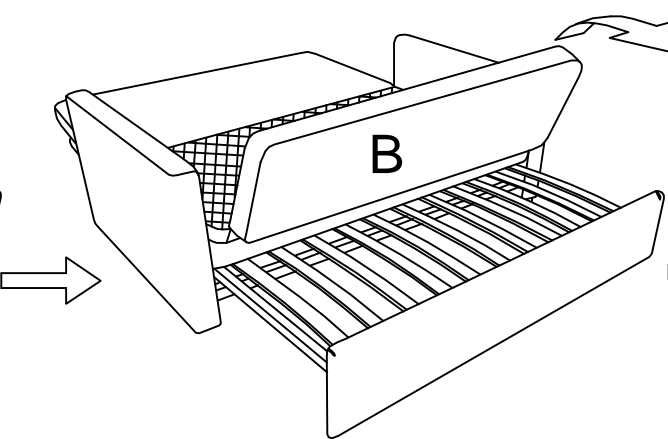
Step 7:



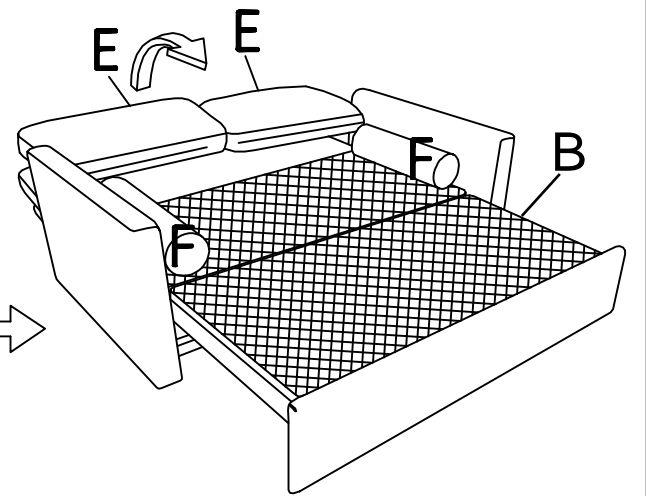
Step 8:



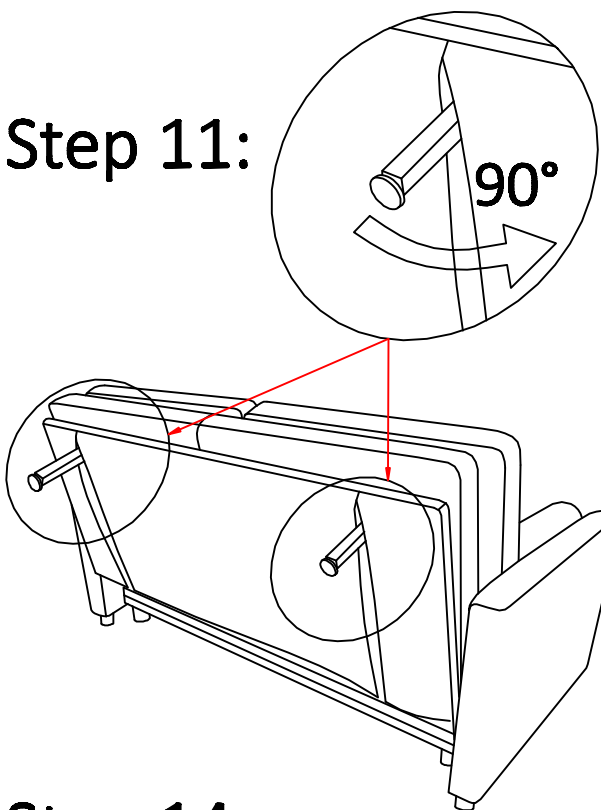
Step 9:



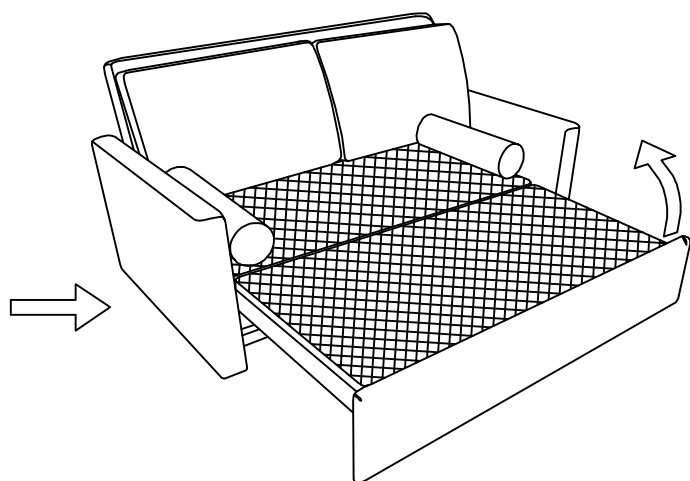
Step 10:



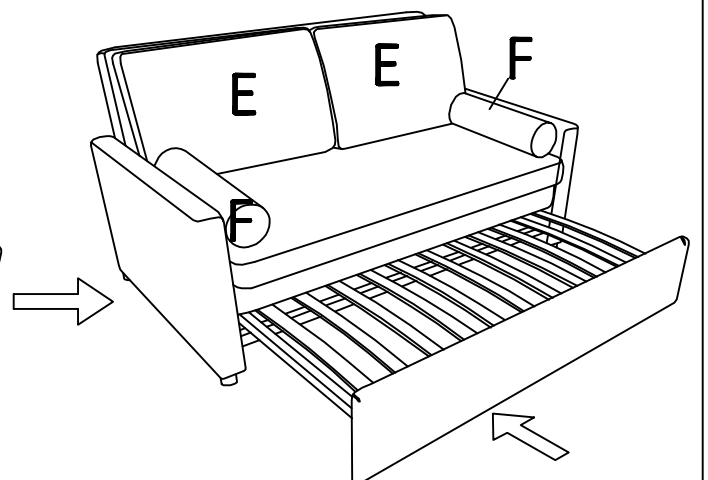
Step 11:



Step 12:



Step 13:



Step 14:

